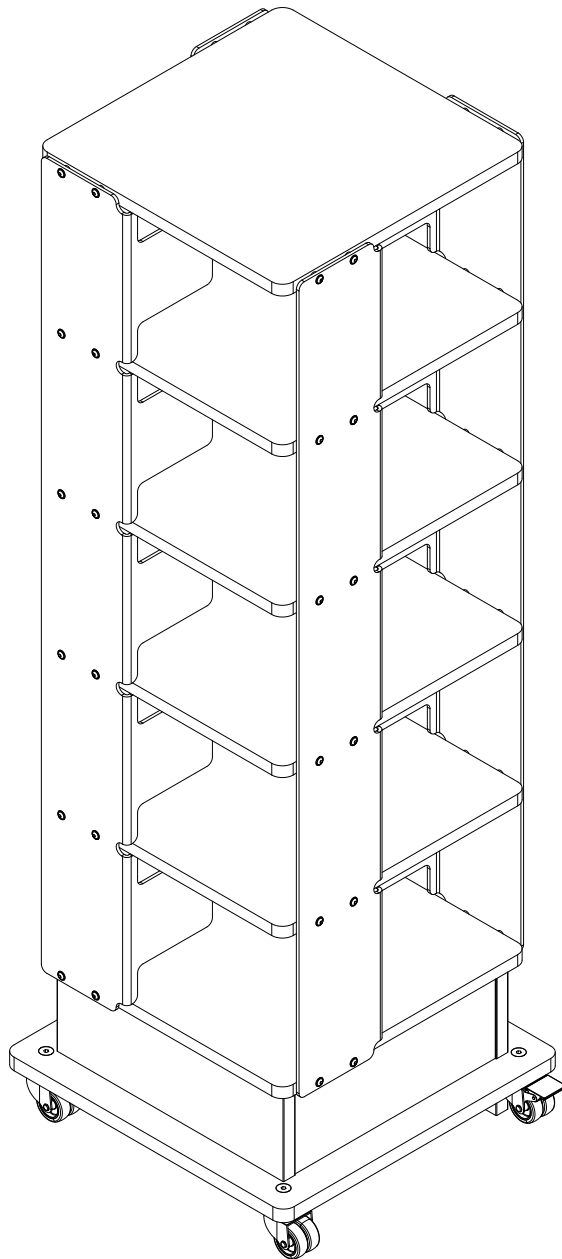




Assembly Guide

Stockholm Castor plate

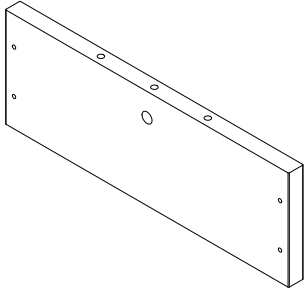


10.2023

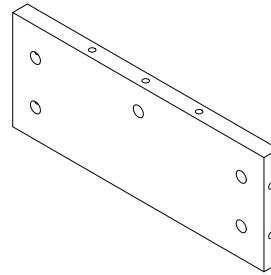
First check the contents to make sure that nothing is missing. Sort out the screws and fittings as shown.
Assemble your furniture step by step, as shown in the illustrations.



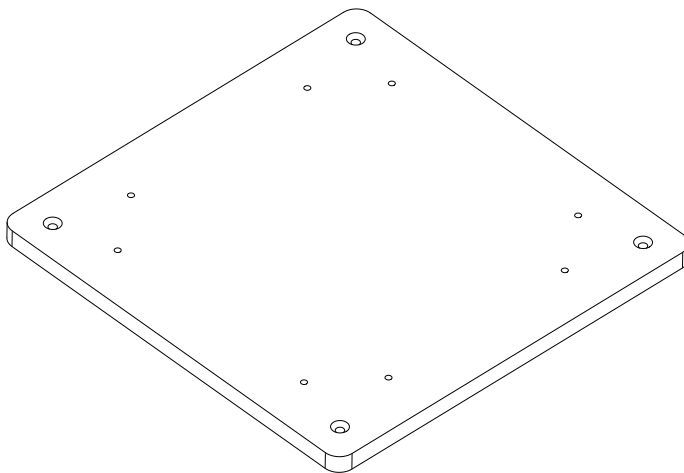
1



2 x L



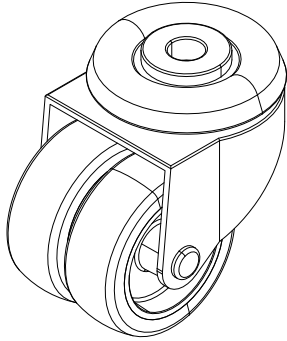
2 x M



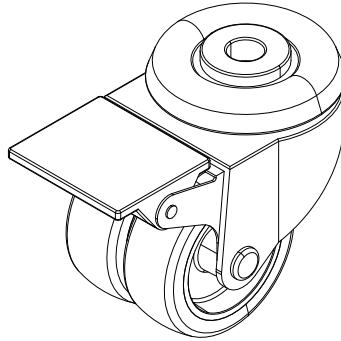
1 x N



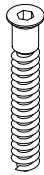
2



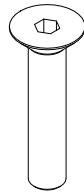
2 x O



2 x P



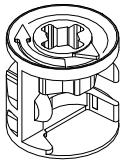
8 x Q



4 x R



8 x S



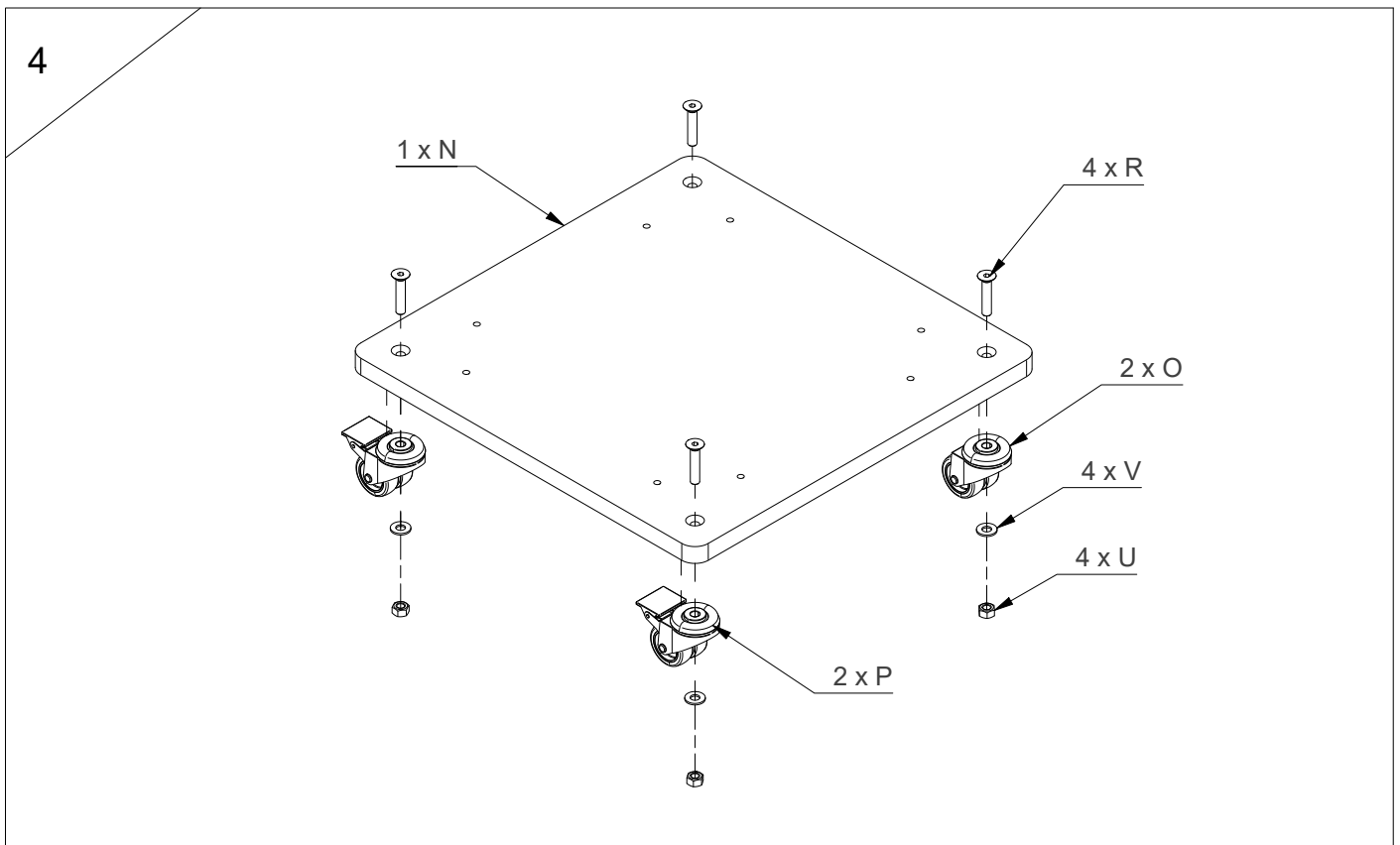
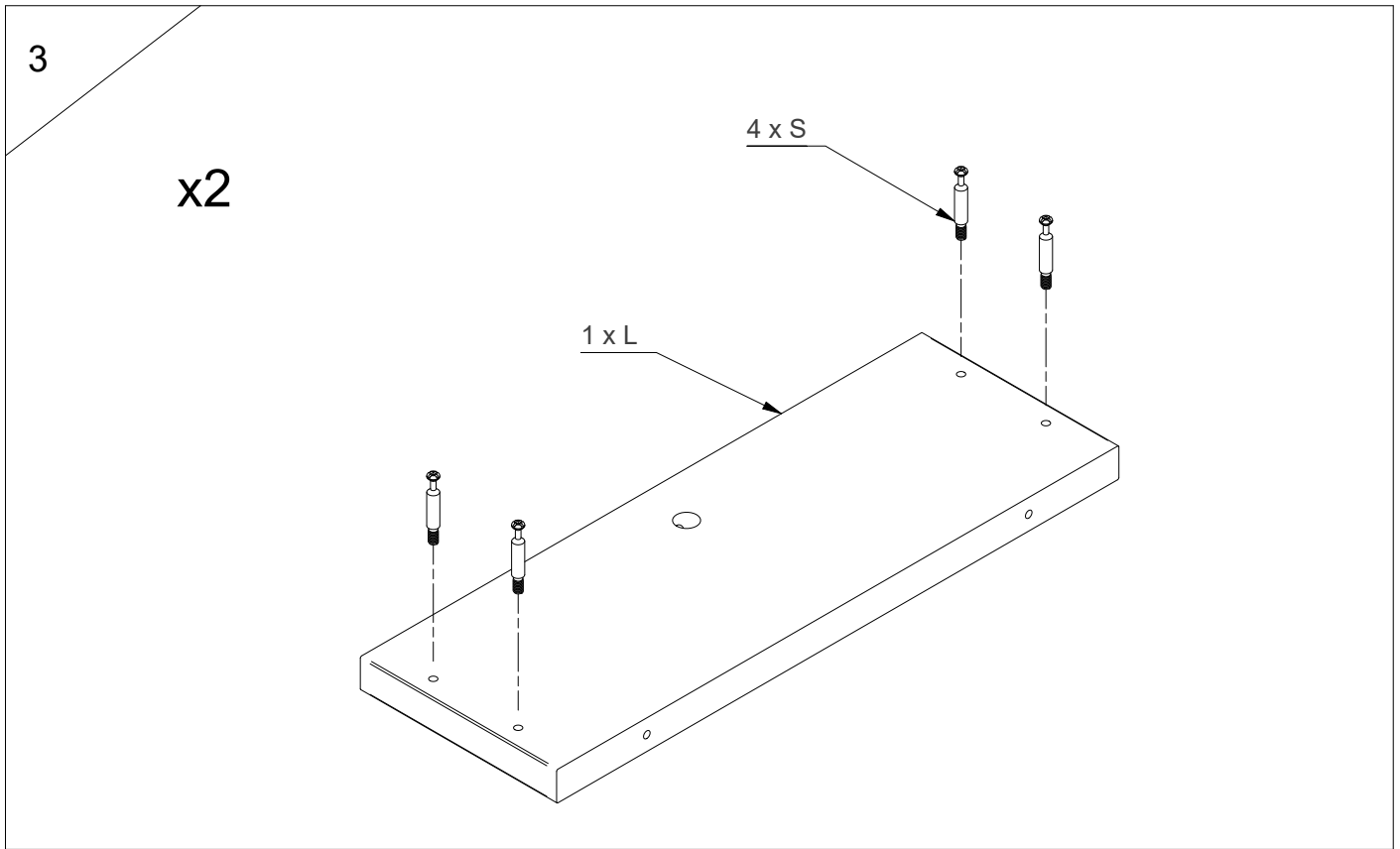
8 x T

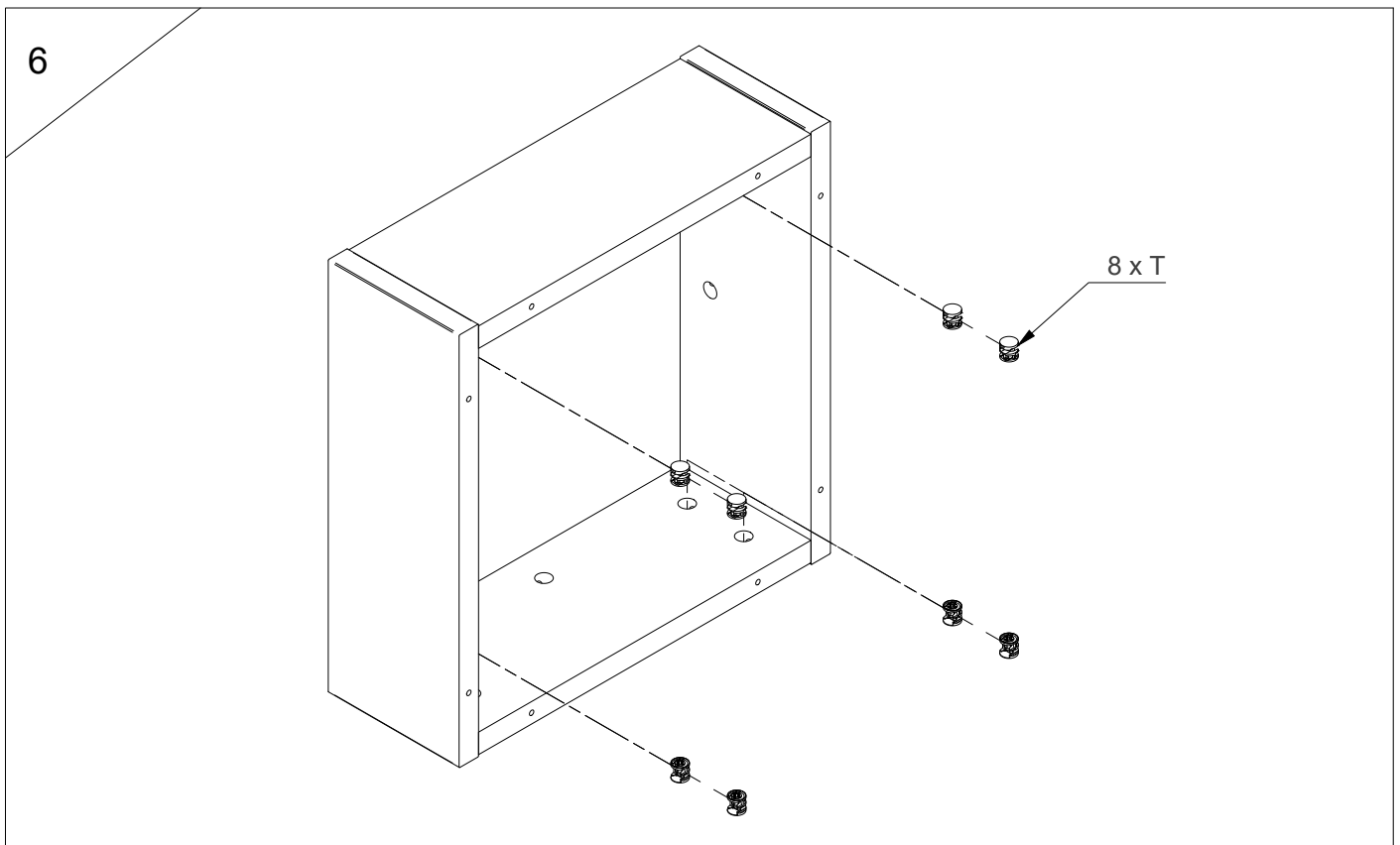
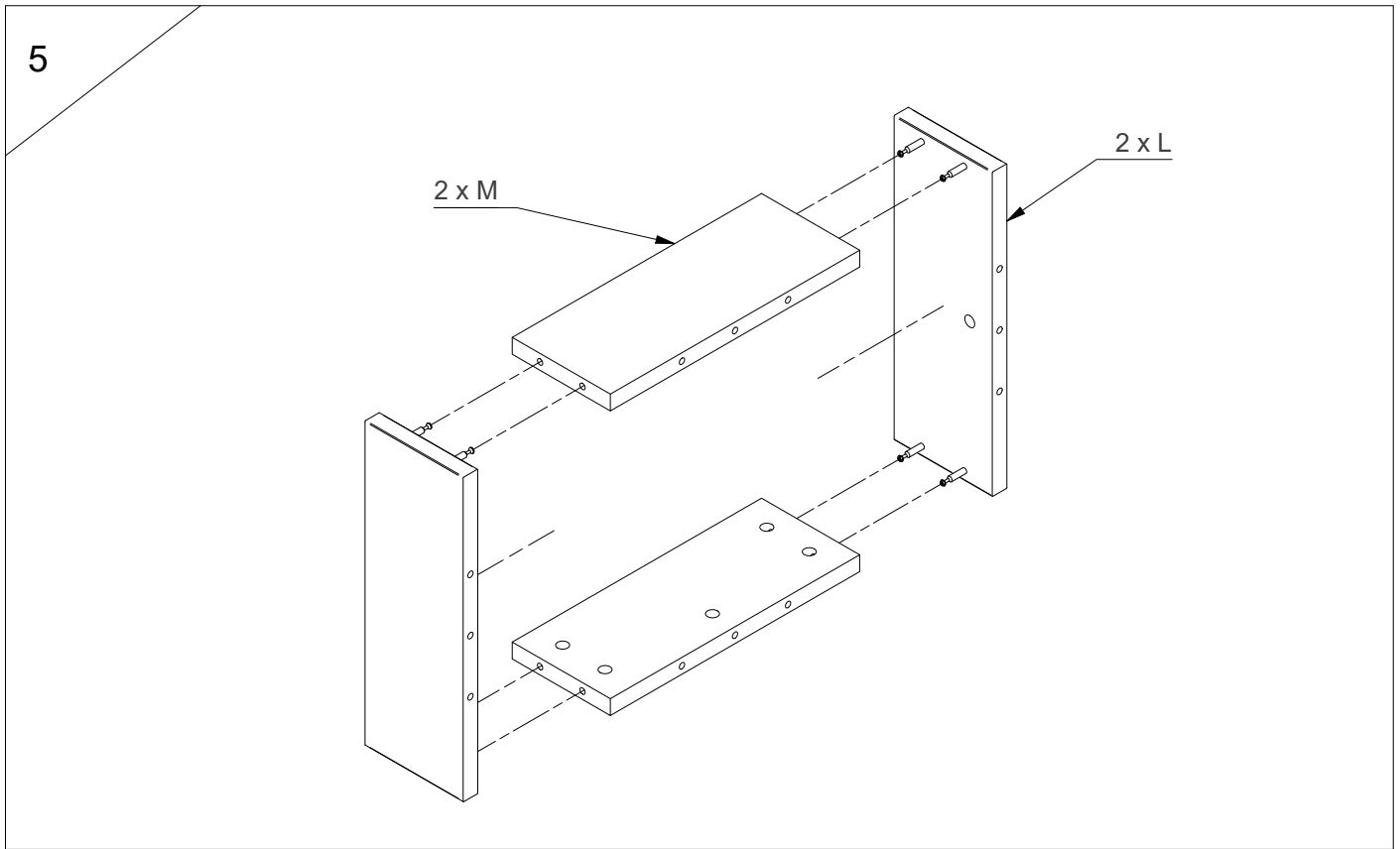


4 x U



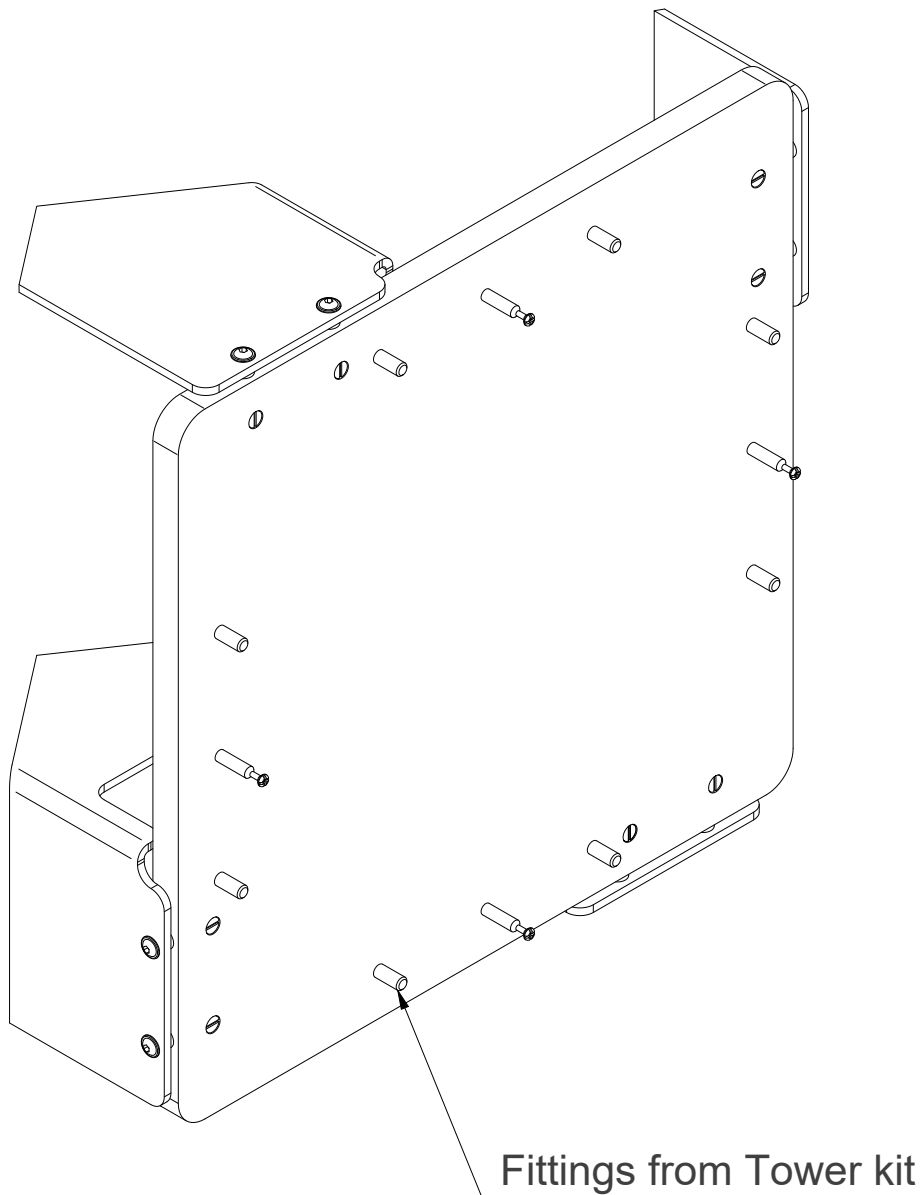
4 x V





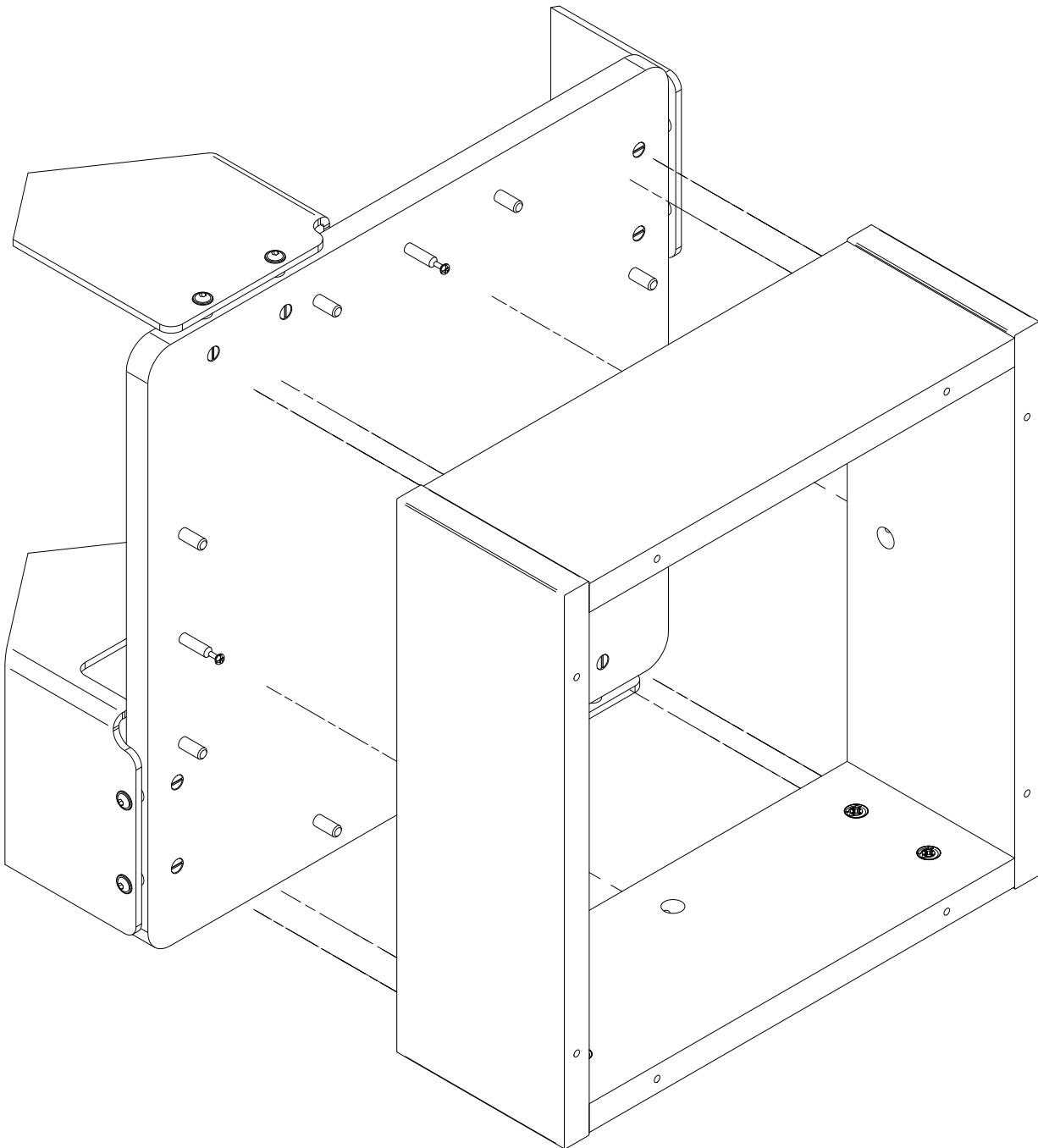


7





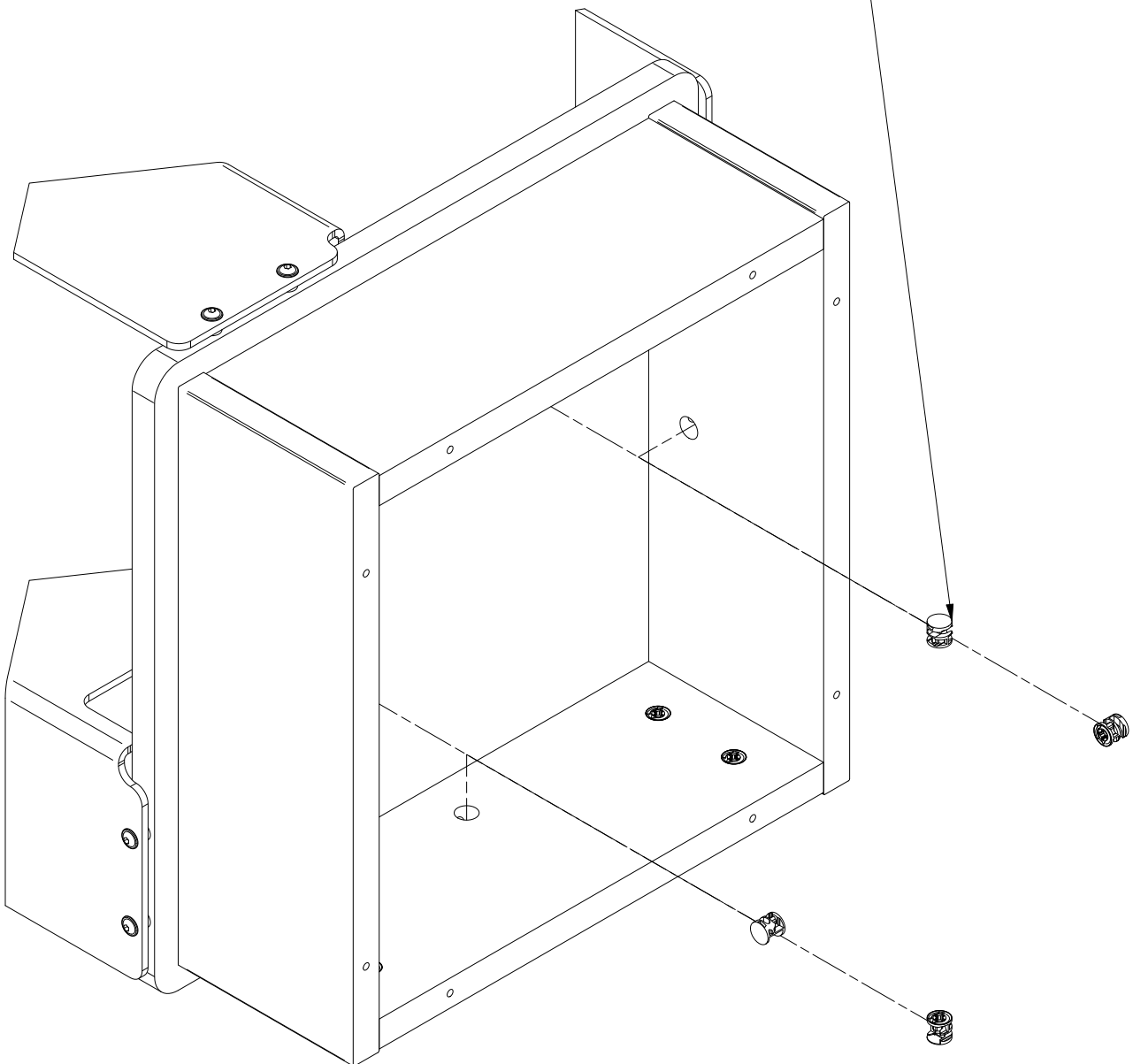
8





9

Fittings from Tower kit





10

